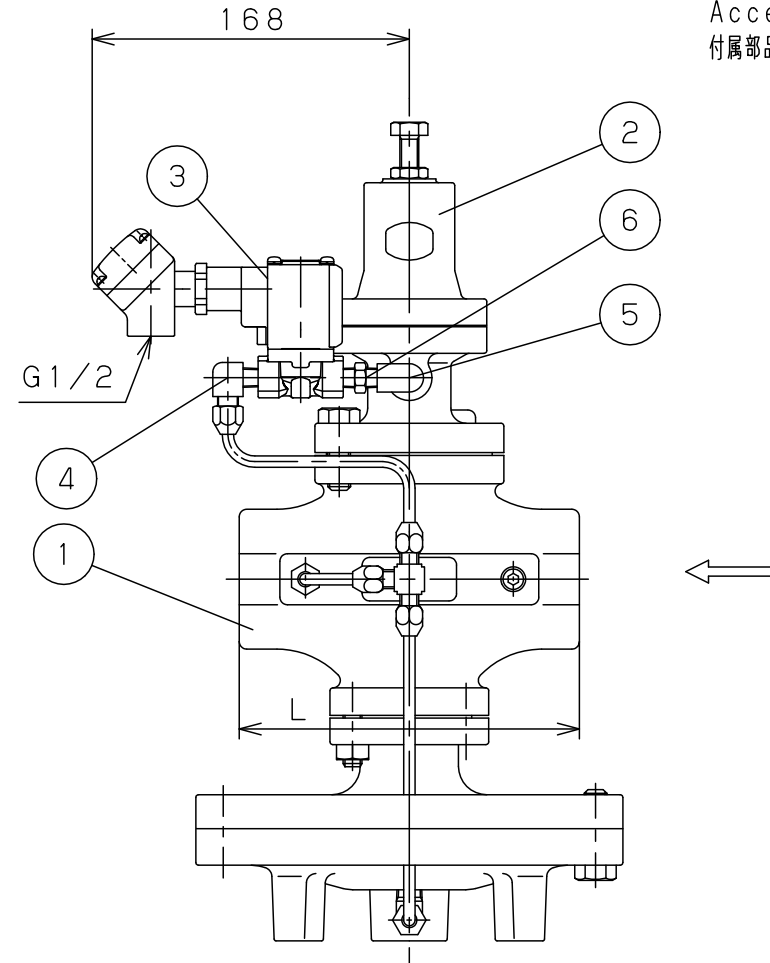
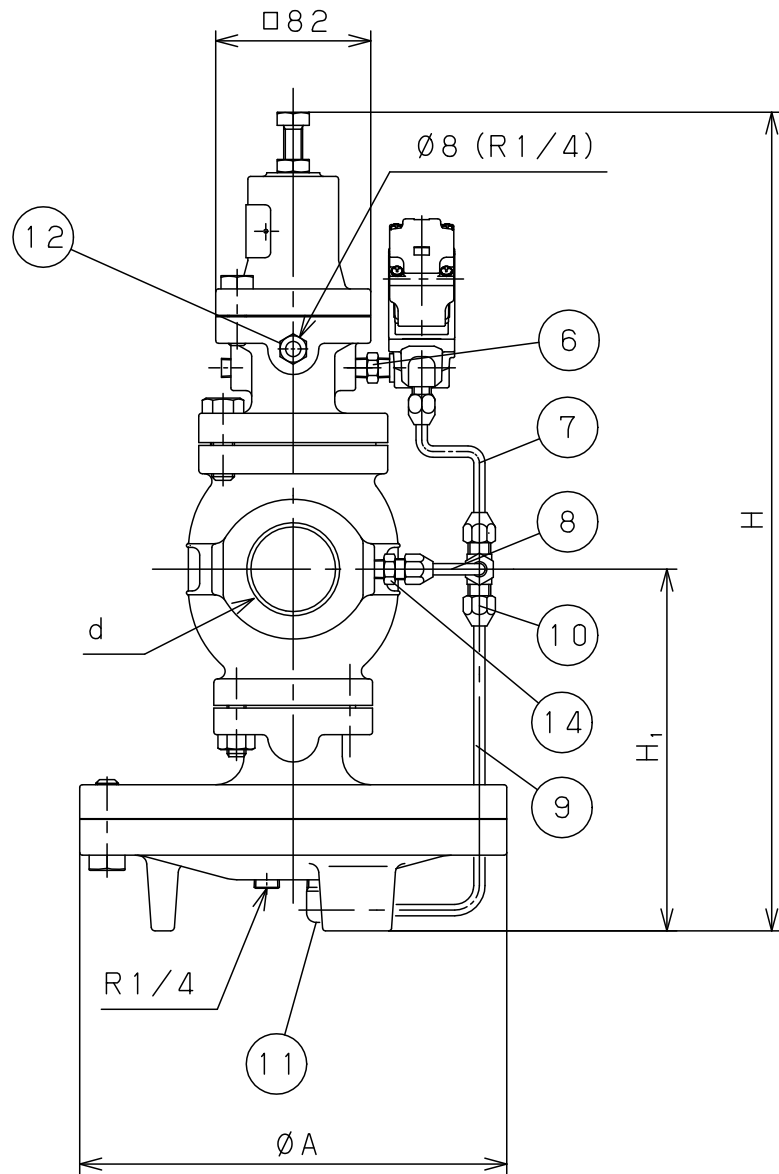


Accessory Parts
付属部品



No.	Name of Parts	Material	部品名	材質	Q. TY
14	Joint	Brass	継手	C3604	1
13	Sensing Pipe	Copper	検出管	C1220	1
12	Sensing Pipe Joint	Brass	検出管継手	C3604	2
11	Elbow	Brass	エルボー	C3771	1
10	Tee	Brass	ティー	C3771	1
9	Pipe C	Copper	導管C	C1220	1
8	Pipe B	Copper	導管B	C1220	1
7	Pipe A	Copper	導管A	C1220	1
6	Nipple	Carbon Steel	ニップル 1/8	S25C	2
5	Elbow	Malleable Cast Iron	エルボー 1/8	FCMB	1
4	Elbow	Brass	エルボー 1/8	C3771	1
3	Pilot Valve DP-11A (With Terminal Box)	Brass	子弁 DP-11A (端子箱付)	C3771	1
2	Pilot Valve GP-2000BP	Ductile Cast Iron	子弁 GP-2000BP	FCD450	1
1	Main Valve GPM-2000	Ductile Cast Iron	親弁 GPM-2000	FCD450	1

Size	d	L	H ₁	H	A	Weight (kg)
15A	Rc 1/2	150	170	398	200	14.7
20A	Rc 3/4	150	170	398	200	14.7
25A	Rc 1	160	175	404	226	19.0
32A	Rc 1 1/4	180	192	434	226	22.2
40A	Rc 1 1/2	180	192	434	226	22.2
50A	Rc 2	230	216	498	276	33.7

Specification	
Fluid	
Inlet Press.	MPa
Reduced Press.	MPa
Temp.	℃
Voltage	V
Operation	
Flow Rate	

TYPE CP-2001 CONBINATION VALVE
コンビネーションバルブ

Approval	H. Iwamoto
Check	M. Yoshida
Drawing	Y. Aoyama
Drawing No.	Y-772-2201-1A
Date	10 DEC.2012

