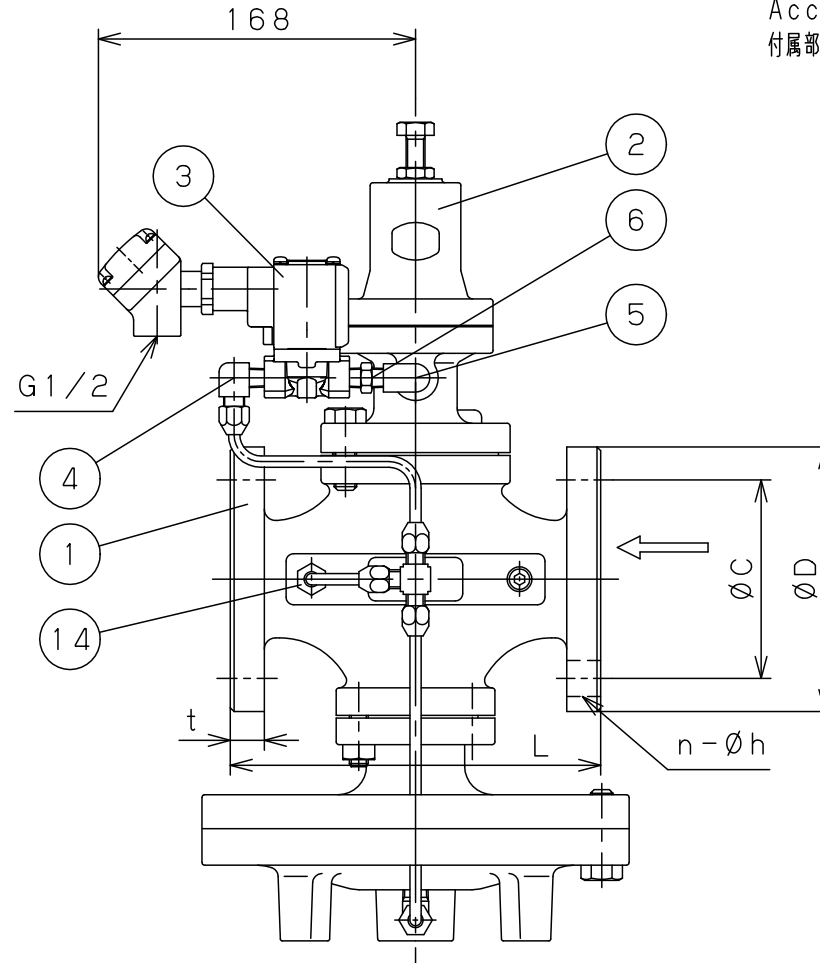
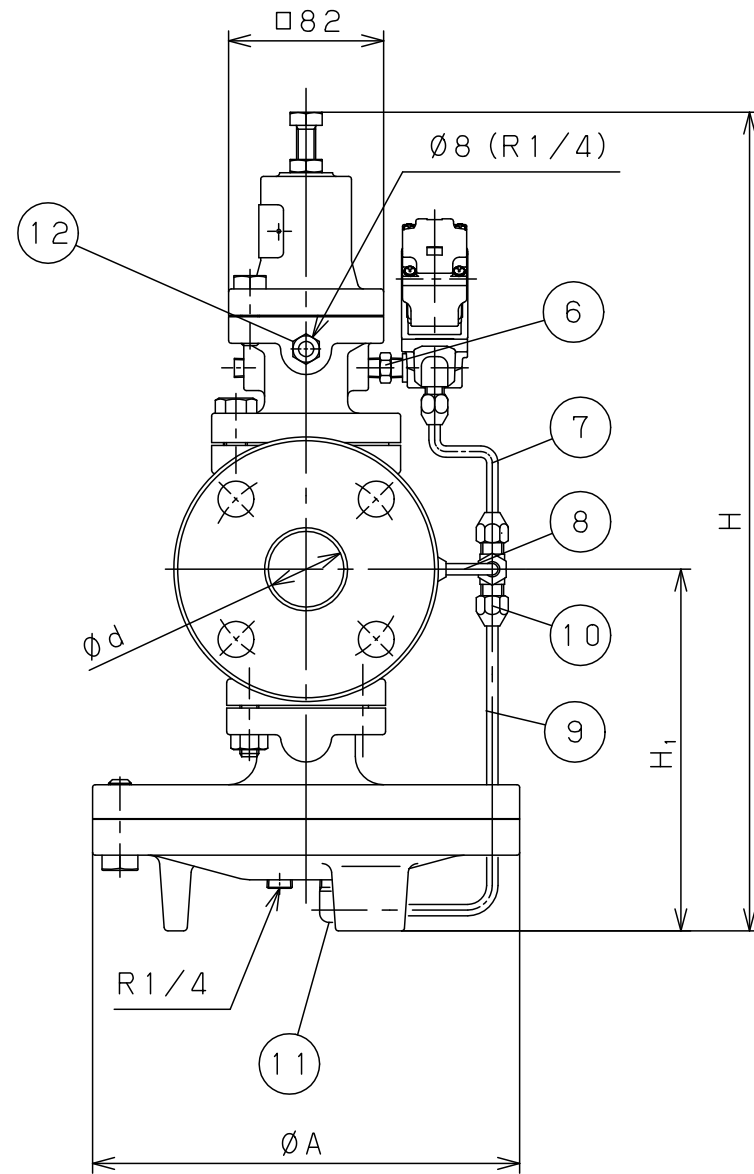


Accessory Parts  
付属部品



|     |   |                     |                     |        |       |
|-----|---|---------------------|---------------------|--------|-------|
| 14  | Joint                                     | Brass               | 継手                  | C3604  | 1     |
| 13  | Sensing Pipe                              | Copper              | 検出管                 | C1220  | 1     |
| 12  | Sensing Pipe Joint                        | Brass               | 検出管継手               | C3604  | 2     |
| 11  | Elbow                                     | Brass               | エルボー                | C3771  | 1     |
| 10  | Tee                                       | Brass               | ティー                 | C3771  | 1     |
| 9   | Pipe C                                    | Copper              | 導管C                 | C1220  | 1     |
| 8   | Pipe B                                    | Copper              | 導管B                 | C1220  | 1     |
| 7   | Pipe A                                    | Copper              | 導管A                 | C1220  | 1     |
| 6   | Nipple                                    | Carbon Steel        | ニップル 1/8            | S25C   | 2     |
| 5   | Elbow                                     | Malleable Cast Iron | エルボー 1/8            | FCMB   | 1     |
| 4   | Elbow                                     | Brass               | エルボー 1/8            | C3771  | 1     |
| 3   | Pilot Valve DP-11A<br>(With Terminal Box) | Brass               | 子弁 DP-11A<br>(端子箱付) | C3771  | 1     |
| 2   | Pilot Valve GP-2000BP                     | Ductile Cast Iron   | 子弁 GP-2000BP        | FCD450 | 1     |
| 1   | Main Valve GPM-2000                       | Ductile Cast Iron   | 親弁 GPM-2000         | FCD450 | 1     |
| No. | Name of Parts                             | Material            | 部品名                 | 材質     | Q. TY |

(mm)

| Size | L   | H <sub>1</sub> | H   | A   | Flange JIS 10K FF |     |     |    |      | Weight (kg) |
|------|-----|----------------|-----|-----|-------------------|-----|-----|----|------|-------------|
|      |     |                |     |     | d                 | D   | C   | t  | n-h  |             |
| 15A  | 142 | 170            | 398 | 200 | 15                | 95  | 70  | 12 | 4-15 | 16.0        |
| 20A  | 142 | 170            | 398 | 200 | 20                | 100 | 75  | 14 | 4-15 | 16.5        |
| 25A  | 152 | 175            | 404 | 226 | 25                | 125 | 90  | 14 | 4-19 | 21.4        |
| 32A  | 172 | 192            | 434 | 226 | 32                | 135 | 100 | 16 | 4-19 | 24.3        |
| 40A  | 192 | 192            | 434 | 226 | 40                | 140 | 105 | 16 | 4-19 | 24.8        |
| 50A  | 218 | 216            | 498 | 276 | 50                | 155 | 120 | 16 | 4-19 | 36.2        |
| 65A  | 278 | 251            | 552 | 352 | 65                | 175 | 140 | 18 | 4-19 | 64.5        |
| 80A  | 294 | 264            | 575 | 352 | 80                | 185 | 150 | 18 | 8-19 | 69.6        |
| 100A | 330 | 321            | 658 | 401 | 100               | 210 | 175 | 18 | 8-19 | 107.7       |

| Specification  |     |
|----------------|-----|
| Fluid          |     |
| Inlet Press.   | MPa |
| Reduced Press. | MPa |
| Temp.          | ℃   |
| Voltage        | V   |
| Operation      |     |
| Flow Rate      |     |

TYPE CP-2001 COMBINATION VALVE

コンビネーションバルブ

|             |               |
|-------------|---------------|
| Approval    | H. Iwamoto    |
| Check       | M. Yoshida    |
| Drawing     | Y. Aoyama     |
| Drawing No. | Y-772-2205-1A |
| Date        | 14 DEC.2012   |

